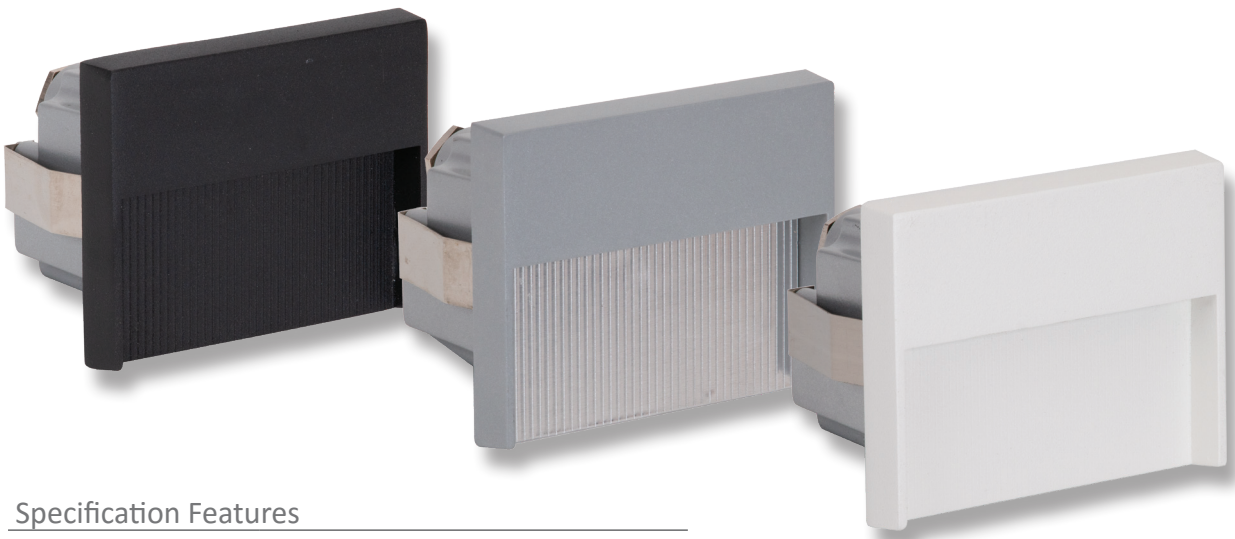


Step-Mini Steplight



Description

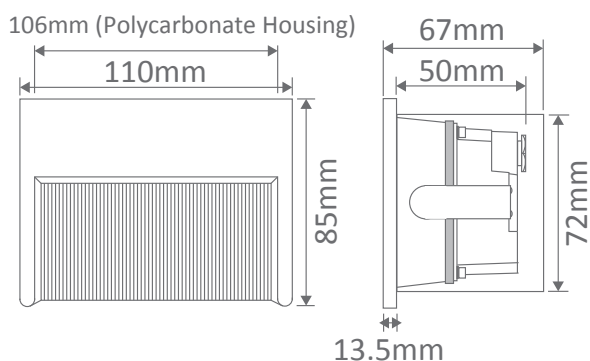
The STEP is a unique take on traditional recessed step lights. With its recessed main body the STEP only slightly protrudes from the front face. This makes for a unique mounting of the high output LED. The LED now offers an anti-glare solution with downward lighting. Made from a high quality cast aluminium and surface treated before a silver polyester powder coat is applied. The LED is produced from world leading brands such as Edison know for excellent luminous output and reliability. The overall statement is enhanced with a unique ribbed reflector for a visual experience. Supplied with an integral LED driver for direct 240VAC connection a polycarbonate housing for both concrete and masonry walls.



Specification Features

Size (Face):	(W) 110mm x (H) 85mm x (D) 50mm
Polycarbonate cut-out:	(W) 106mm x (H) 72mm x (D) 67mm
Frame colour:	Polyester powder coated Silver
Light source:	High intensity SMD LED
LED type:	Edison (Taiwan)
Colour Temperature (K):	Warm white 3000K, White 5000K
Lumens (lm):	Warm white 350lm, White 400lm
CRI:	>85
Wattage (W):	4W
Input Voltage (VAC):	220-240VAC
IP Rating (IP):	IP65
Lifespan (hrs):	40,000
Mounting:	Recessed mounting
Dimmable:	No

Diagrams / Additional



Item No.	Variant			Colour Temp
	Blk	Slr	Wht	
STEP-3	19824	19472	19826	3000K
	19825	19473	19827	5000K