

VISION-12 LED Spotlight



Description

The surface mounted VISION-12 Spot Light provides the perfect solution for illuminating your outdoor areas; including pathways, yards and amongst your garden just to name a few. This Spot Light provides 12W of high intensity light at a 35° beam angle in either White or Warm White LED, featuring LG Chip On Board (COB) technology.

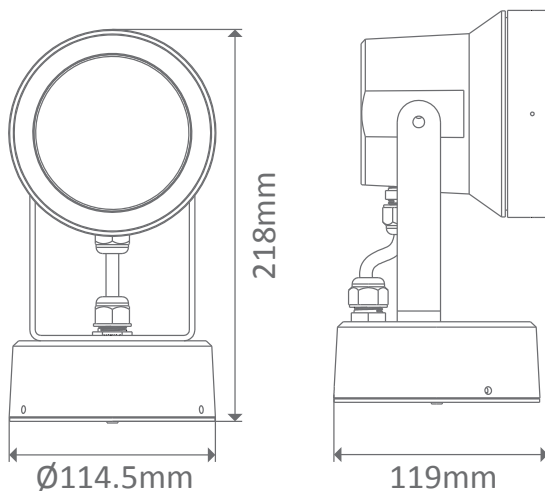
The VISION-12 Spot Light is constructed from cast-aluminium and is put through a special chromate process, before a polyester powder coat is applied, to complete the finish. This in combination with its IP54 rating provides a resilient product suited to most outdoor applications. The VISION-12 also comes backed by a Three Year Replacement Warranty for peace of mind.



Specification Features

Input Voltage: 240V AC
 Power (W): 12W
 IP rating (IP): 54
 Lumens (lm): Warm White 3000K - 1000lm
 White 5000K - 1100lm
 LED type: LG COB
 CCT: 3000K - 5000K
 CRI: ≥80
 Beam angle (°): 35°
 Dimmable: No
 Lifespan (hrs): 50,000hrs

Diagrams / Additional



Item No.	Variant	Colour
VISION-12W-BLK	19600	3000K
	19601	5000K
VISION-12W-DGR	19524	3000K
	19525	5000K
VISION-12W-SLR	19522	3000K
	19523	5000K
VISION-12W-WHT	19606	3000K
	19607	5000K