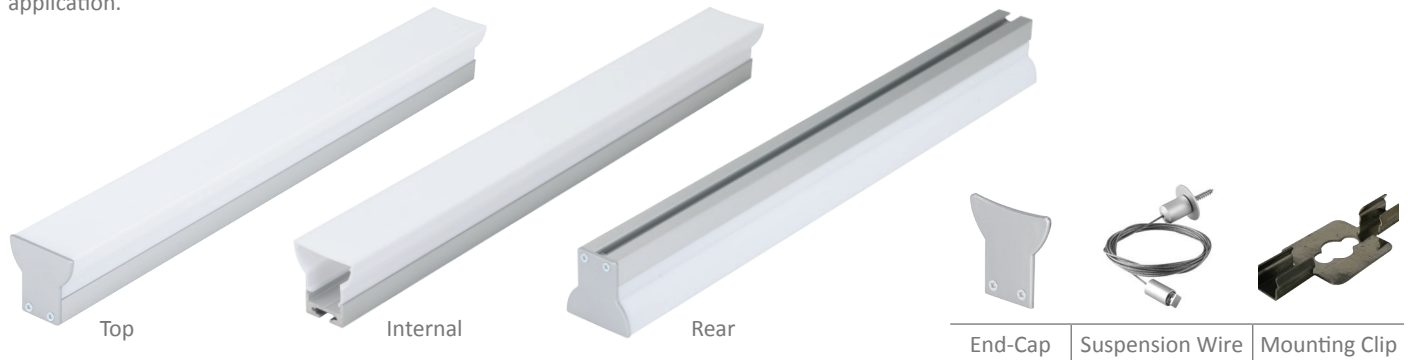


BOBBY-T LED Mounting Profile

Description

Introducing the BOBBY-T LED mounting profile system. The BOBBY-T is specifically designed for the Domus range of LED strip lighting. This aluminium mounting profile system incorporated extruded profile complete with a unique T shaped opal colour PMMA diffuser. The key features of the BOBBY-T is the ability to not only conceal the LED strip lighting but also keep the strip lighting linear. Also, the BOBBY-T keeps LEDs free from foreign objects and vapours which may damage the LEDs. The BOBBY-T comes into its own when used as a wire suspended pendant. The finishing of this product is a perfect complement to any area. Applications include lounge rooms, dining areas, bathrooms or any other architectural application.



Specification Features

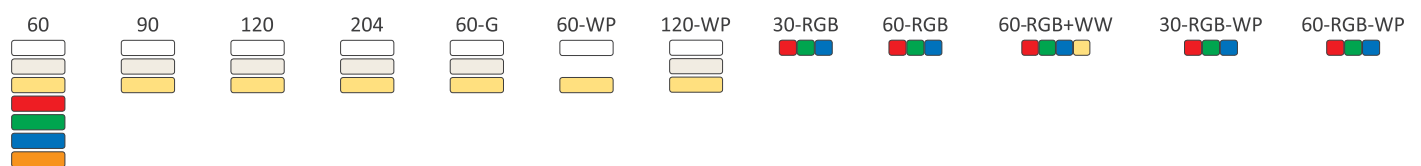
Installation:	Surface or suspended mounted
Material:	Extruded aluminium 6063
Finish:	Natural clear anodised
Diffuser:	T-shape (PMMA) opal diffuser
Length (mm):	2500mm continuous*
Size (mm):	(W) 19.7mm, (H) 33mm including diffuser
Accessories (each):	End caps (silver), wire suspensions and mounting clips**
Special:	Custom powder coated colour upon request***
Driver Installation:	Remote driver required (not included)

* Profile sold per meter. Can be cut to suit any length.
 ** Accessories to be ordered separately.
 *** Special powder coat finishes upon request. Surcharges apply.

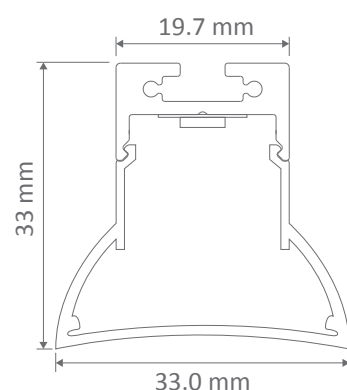
Order Info:

Product Code:	BOBBY-T
Order Code:	22012
Sold per (m)	1mtr
Product Code:	BOBBY-T-CAP
Order Code:	22013
Colour:	Anodised
Sold per (m)	Each
Product Code:	BOBBY-MOUNT
Order Code:	21999
Length (m):	Stainless Steel
Sold per (each):	Each
Product Code:	PROFILE-SUSPENSION
Order Code:	22041
Length (m):	2mtr Standard Height
Sold per (each):	Each

Compatible LED Strip Lighting



Diagrams / Additional



LED Output Variance:

