

NEO-20-SM-TILT LED Surface Mounted Downlight



Description

The NEO-SM-TILT Series is a dimmable surface mounted LED downlight range that has a tilt function to offset the light at an angle of 25°. NEO-SM-TILT series is a great option for those looking for an alternative to recessed downlights, or for installations where recessing a hole is not possible. Available in Black or White frame, and with the choice of Warm White, Neutral White or White colour temperature options. Complete with dimmable LED driver. Backed by our Three Year Replacement Warranty.

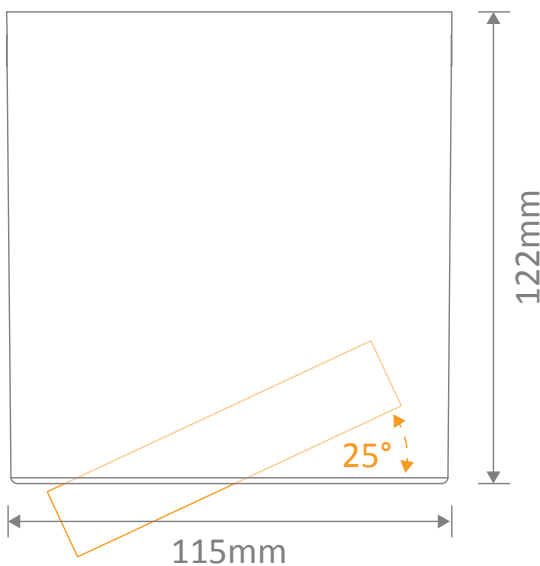
Specification Features

Input Voltage: 240V
 Power (W): 20W
 IP rating (IP): IP20
 Lumens (lm): Warm White 3000K - 2100lm
 Neutral White 4000K - 2200lm
 White 5000K - 2300lm
 LED type: COB
 CCT: 3000K - 4000K - 5000K
 CRI: ≥80
 Beam angle (°): 60°
 Dimmable: Yes*
 Lifespan (hrs): 50,000hrs
 Tilt: 25°

* Tested on the Domus dimmer series. May work on others but not tested.



Diagrams / Additional



Item No.	Black Variant	White Variant	Colour
NEO-20-SM-TILT	21139	21151	3000K
NEO-20-SM-TILT	21142	21154	4000K
NEO-20-SM-TILT	21145	21157	5000K