

DECO-13-ADAPT Adaptor Plate



Description

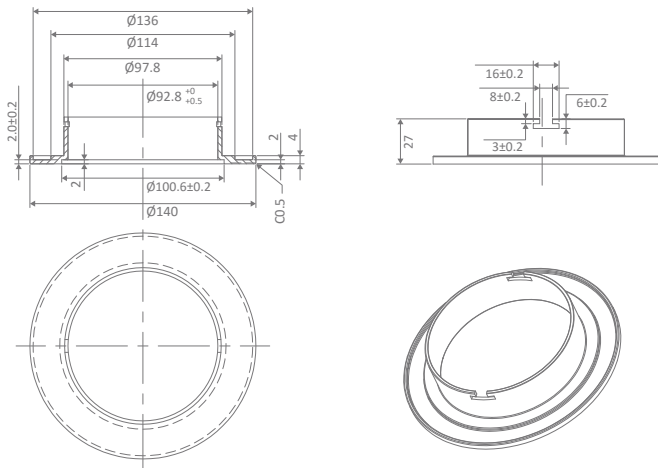
140mm adaptor plate to suit Deco 13 LED Downlight.
Designed to allow the Deco 13 to be installed in larger cutout hole sizes.

Specification Features

Diameter: 140mm
Height: 27mm
Cutout (Ø): Ø110-130mm
Suits the Deco-13 Round (sold separately)



Diagrams / Additional



Order Code: 20504
Product Code: DECO-13-ADAPT
Colour: White

DECO-13 *(Sold Separately)*



Order Code: 20520
Product Code: DECO-13-RND-W-WW
Colour: Satin White Trim - Warm White 3000K

Order Code: 20519
Product Code: DECO-13-RND-W-NW
Colour: Satin White Trim - Neutral White 4000K

Order Code: 20521
Product Code: DECO-13-RND-W-W
Colour: Satin White Trim - White 5000K

Order Code: 20522
Product Code: DECO-13-RND-A-WW
Colour: Aluminium Trim - Warm White 3000K

Order Code: 20523
Product Code: DECO-13-RND-A-W
Colour: Aluminium Trim - White 5000K