

Max-50-DN 1M LED Suspended Profile



Description

The Max-50 Down suspension pendant is designed to suit commercial and residential applications, this profile system incorporates an extruded aluminium body with flat PMMA diffuser, and Osram Led boards. The system offers many additional options such as Dali dimming and emergency upon request.

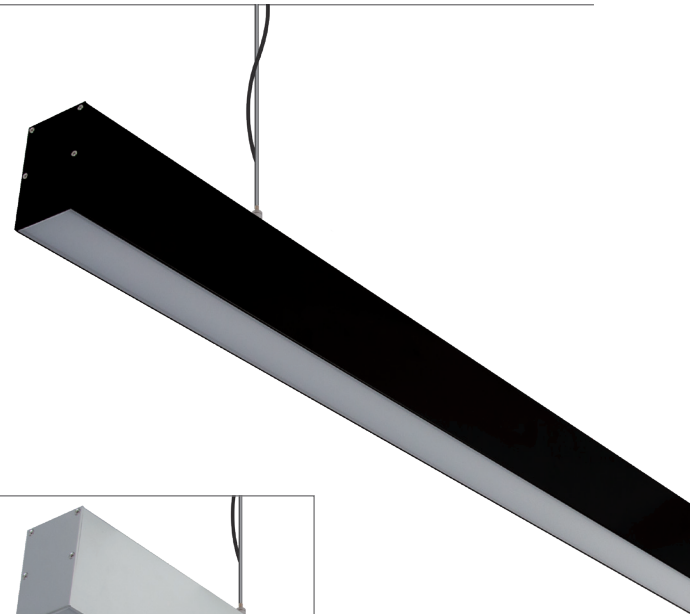
Specification Features

Input Voltage:	240V
Power (W):	17.3W/Per Metre
IP rating (IP):	20
Lumens (lm):	Warm White 3000K - 2466lm Neutral White 4000K - 2600lm White 5000K - 2600lm Extra White 6500K - 2600lm
LED type:	Osram LED Boards
CCT:	3000K - 4000K - 5000K - 6500K
CRI:	≥80
Beam angle (°):	120°
Dimmable:	No**
Lifespan (hrs):	50,000hrs
Installation:	Suspended mounted
Material:	Extruded 6063 aluminium
Finish:	Clear anodised, black or white powder coat finish
Diffuser:	Flat high output opal-frost
Length:	Sold per metre*
Size (mm)	Profile (W) 50mm x (H) 75mm
Available Upon Request:	<ul style="list-style-type: none"> • High Output LED Boards • Intergrated Emergency

Note: This product is made to order and may have a lead time.

* Profile can be cut to any length required.

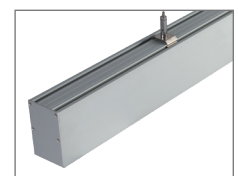
** Dali and 0-10V dimming available upon request



Aluminium Finish

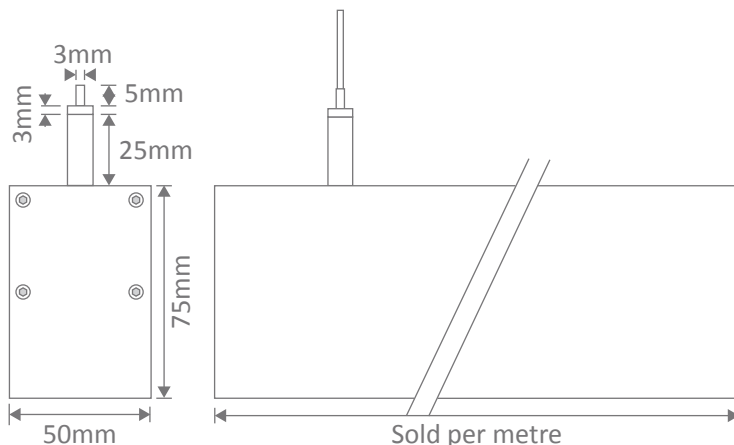


White Finish



Back View

Diagrams / Additional



Item No.	Variant	Colour
MAX-50-DN Suspended (BLK)	22328	3000K
	22329	4000K
	22330	5000K
	22331	6500K

Item No.	Variant	Colour
MAX-50-DN Suspended (ALU)	22324	3000K
	22325	4000K
	22326	5000K
	22327	6500K

Item No.	Variant	Colour
MAX-50-DN Suspended (WHT)	22332	3000K
	22333	4000K
	22334	5000K
	22335	6500K