

CELL-17

LED Module and Driver Set



Description

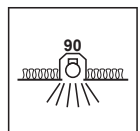
The CELL series are a plug and play LED lamp module and LED driver set. They are the perfect solution for residential homes to commercial projects such as hotels, clubs, pubs and bars. Designed not only as a replacement for traditional halogen lamps in most applications, but also as a replaceable LED lamp and driver set for a range of click in frames, as a complete downlight solution. For retrofit, it's as easy as removing the standard MR16 halogen lamp and transformer and replacing it with the CELL lamp and LED driver. It suits most MR16 downlight frames, depending on height.

As a complete lamp and frame solution, simply choose from a range of click in frames on offer to suit the style and décor. Featuring a reflector style lens with a choice of 15°, 24°, 36° or 60° beam angle effects to suit ceiling heights or lighting effects. Available in 9W, 13W and 17W options depending on the light intensity required. With the choice of Extra Warm White, Warm White, Neutral White or White colour temperature options to suit the desired light appearance. Complete with dimmable LED driver and flex and plug. Backed by our Three Year Replacement Warranty.

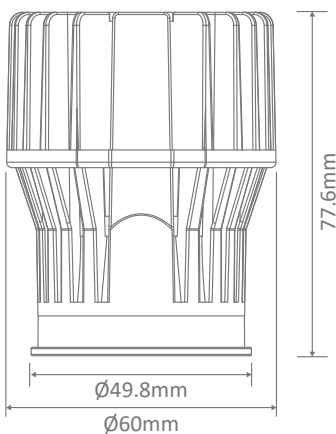
Specification Features

- Input Voltage: 200-240V 50-60HZ
- Power (W): 17
- IP rating (IP): IP44*
- Lumens (lm): Extra Warm White 2700K - 1500lm
Warm White 3000K - 1550lm
Neutral White 4000K - 1650lm
White 5000K - 1700lm
- LED type: COB
- CCT: 2700K - 3000K - 4000K - 5000K
- CRI: ≥80
- Beam angle (°): 15°/24°/36°/60°
- Dimmable: Yes
- Lifespan (hrs): 50,000hrs

* IP44 rating is from the underside of the down light once installed into the ceiling.



Diagrams / Additional



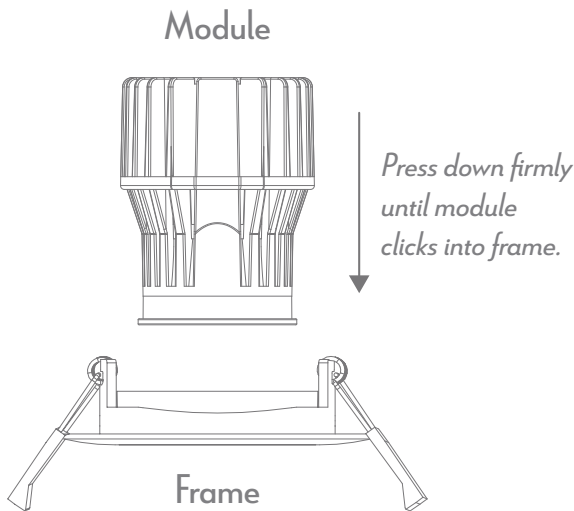
Item No.	Variant	Colour	Beam Angle (°)
CELL-17	27032	2700K	60°
	27033		36°
	27034		24°
	27035		15°
CELL-17	27036	3000K	60°
	27037		36°
	27038		24°
	27039		15°
CELL-17	27040	4000K	60°
	27041		36°
	27042		24°
	27043		15°
CELL-17	27044	5000K	60°
	27045		36°
	27046		24°
	27047		15°

CELL 17 Series Multi Frame Solution

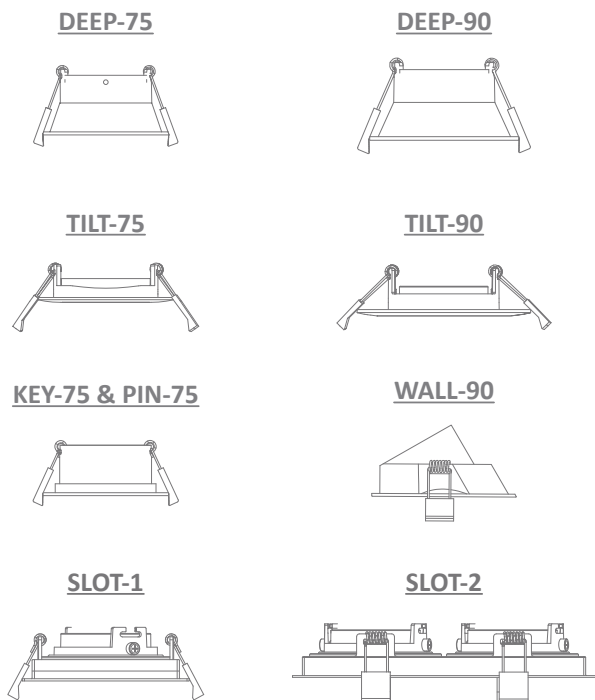


Combine the power of one module with multiple frames

Assembly



Available Frames



DEEPCELL-75-17W



DEEPCELL-90-17W



TILTCELL-75-17W



TILTCELL-90-17W



KEYCELL-75-17W



PINCELL-75-17W



WALLCELL-90-17W



SLOTCELL-1-17W



SLOTCELL-2-17W



CELL 17 Series Multi Frame Solution



Combine the power of one module with multiple frames

Assembled

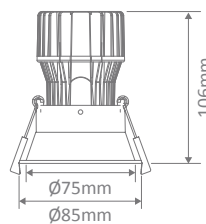
Modules

Item No.	Variant	Colour	Beam Angle (°)
CELL-17	27032	2700K	60°
	27033		36°
	27034		24°
	27035		15°
CELL-17	27036	3000K	60°
	27037		36°
	27038		24°
	27039		15°
CELL-17	27040	4000K	60°
	27041		36°
	27042		24°
	27043		15°
CELL-17	27044	5000K	60°
	27045		36°
	27046		24°
	27047		15°

Frames

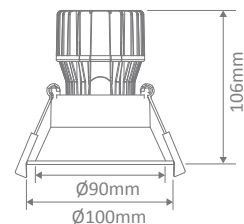
Item No.	Variant	Frame Colour
DEEP-75	27048	White
	27049	Black
DEEP-90	27050	White
	27051	Black
TILT-75	27052	White
	27053	Black
TILT-90	27054	White
	27055	Black
KEY-75	27064	White
	27065	Black
PIN-75	27062	White
	27063	Black
WALL-90	27056	White
	27057	Black
SLOT-1	27058	White
	27059	Black
SLOT-2	27060	White
	27061	Black

DEEPCELL-75-17W



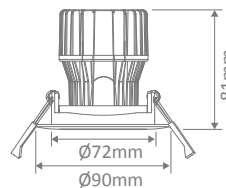
Cutout: $\varnothing 75-77\text{mm}$

DEEPCELL-90-17W



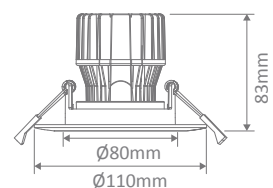
Cutout: $\varnothing 90-92\text{mm}$

TILTCELL-75-17W



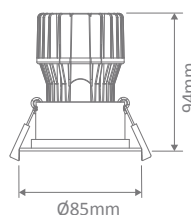
Cutout: $\varnothing 72-75\text{mm}$

TILTCELL-90-17W



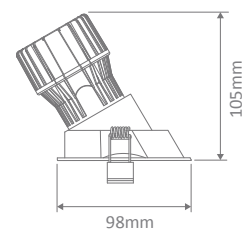
Cutout: $\varnothing 80-85\text{mm}$

KEYCELL-75-17W
PINCELL-75-17W



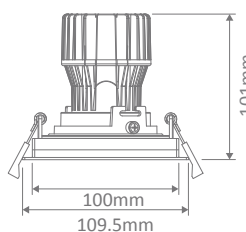
Cutout: $\varnothing 70-75\text{mm}$

WALLCELL-90-17W



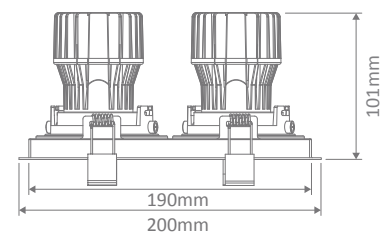
Cutout: $\varnothing 88-90\text{mm}$

SLOTCELL-1-17W



Cutout: **L100mm x W100mm**

SLOTCELL-2-17W



Cutout: **L190mm x W100mm**