

## VISION-9 LED Spotlight



### Description

The surface mounted VISION-9 Spot Light provides the perfect solution for illuminating your outdoor areas; including pathways, yards and amongst your garden just to name a few. This Spot Light provides 9W of high intensity light at a 35° beam angle in either White or Warm White LED, featuring Edison Chip On Board (COB) technology.

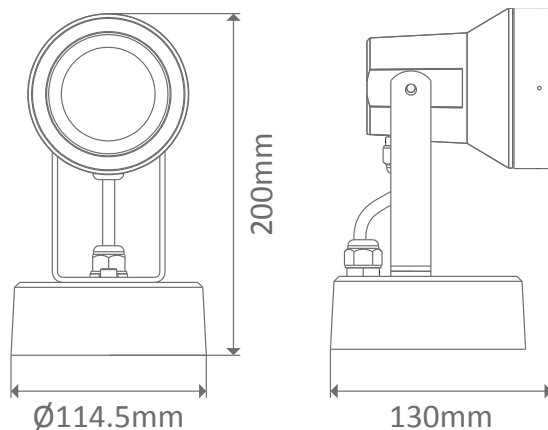
The VISION-9 Spot Light is constructed from cast-aluminium and is put through a special chromate process, before a polyester powder coat is applied, to complete the finish. This in combination with its IP54 rating provides a resilient product suited to most outdoor applications. The VISION-9 also comes backed by a Three Year Replacement Warranty for peace of mind.



### Specification Features

- Input Voltage: 240V AC
- Power (W): 9W
- IP rating (IP): 54
- Lumens (lm): Warm White 3000K - 800lm  
White 5000K - 850lm
- LED type: EDISON COB
- CCT: 3000K - 5000K
- CRI: ≥80
- Beam angle (°): 35°
- Dimmable: No
- Lifespan (hrs): 50,000hrs

### Diagrams / Additional



Item No.	Variant	Colour
VISION-9W-BLK	19610	3000K
	19611	5000K
VISION-9W-DGR	19520	3000K
	19521	5000K
VISION-9W-SLR	19518	3000K
	19519	5000K
VISION-9W-WHT	19612	3000K
	19613	5000K