

## MARS-35 LED Track Light



### Description

The Mars-35 LED Track Light Range is a high quality commercial grade 3 circuit dimmable track head ideal for product lighting in shops and displays. With a 90mm diameter cover and a moulded lamp housing made from powder-coated CNC Aluminium and using the latest LED COB Chip and Driver technology, the Mars series of LED Track Lighting from Domus Lighting offers you stable, flicker-free, low-glare lighting for all your commercial needs and all backed by a Domus 5 year warranty for extra peace of mind.

The Mars-35 LED Track Light features the following:

- 35W High Output CRI90+ Citizen COB Chip available in 3000K or 4000K CCT
- Osram Triac Dimmable Driver
- Changeable optical reflectors to 12° or 24° (optional) - 36° is standard.
- Available in a high quality powder coated textured white or black finish
- Available with optional honeycomb diffuser for extra low-glare applications.

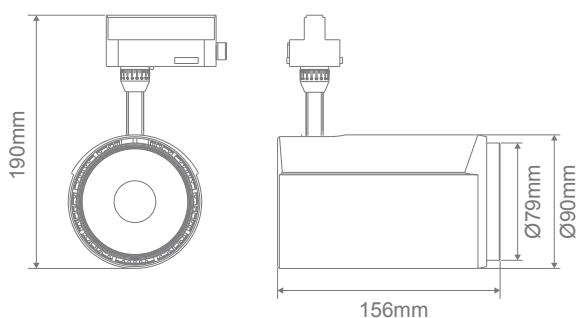
### Specification Features

Input Voltage:	240V AC
Power (W):	35W
IP rating (IP):	20
Lumens (lm):	Warm White 3000K - 3020lm Neutral White 4000K - 3330lm
LED type:	COB (Citizen)
CCT:	3000K - 4000K
CRI:	≥90
Beam angle (°):	36° (12° or 24° optional)
Dimmable:	Yes (Triac dim)
Lifespan (hrs):	50,000hrs
Connection Type:	3 Phase



Honeycomb

### Diagrams / Additional



Item No.	Variant		Colour
	Black	White	
Mars-35-3-36D	22280	22284	3000K
	22281	22285	4000K

Item No.	Variant	Type	Colour
Mars-ACC	22278	Honeycomb	Black

*Sold separately*

Item No.	Variant	Degree
Mars-LEN	22276	12°
	22277	24°

*Sold separately*