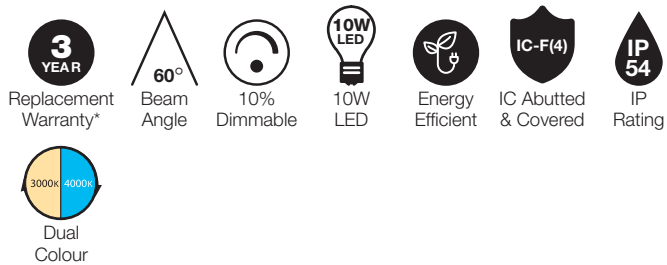




TLCD3411WD

CLASS SPECIFICATIONS

| | |
|--------------------------|----------------------------------------------------------|
| Power : | 10W |
| Construction : | Die cast aluminium |
| IC rating : | IC-F(4) |
| Voltage : | 220-240v |
| Lumens : | 3000K:700lm / 4000K:750lm |
| LED type : | COB |
| Dual Colour LED : | Switchable 3000K / 4000K |
| Dimmable : | Dimmable LED light driver (reduces to 10% with MTD300VA) |
| Size : | 100mm x 72mm |
| Beam angle : | 60° |
| CRI : | >80 |
| Hole cut out : | 90mm |



FEATURE AND BENEFITS

- Dual colour LED switchable driver (3000k or 4000k)
- High quality die cast - aluminium construction
- Advanced heat sink diffuser
- Dimmable LED light driver (dimming reduces to 10% - with MTD300VA)
- Long life energy saving - LED technology
- Anti glare lens
- Includes 1.2 metre flex and plug
- LED lamp life +25,000hrs

MAIN APPLICATIONS

- Commercial or residential application
- Excellent downlight to prevent glare as it is slightly recessed back into ceiling
- Dimmable with trailing edge dimmer



PRODUCT DIAGRAM AND MEASUREMENTS

TLCD3411WD

Note: Technical information provided is based on 4000k test reading

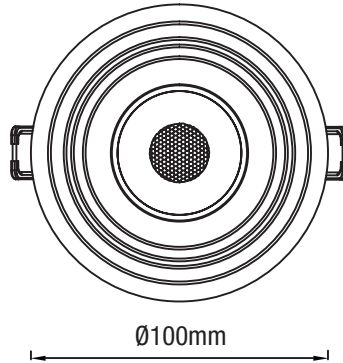
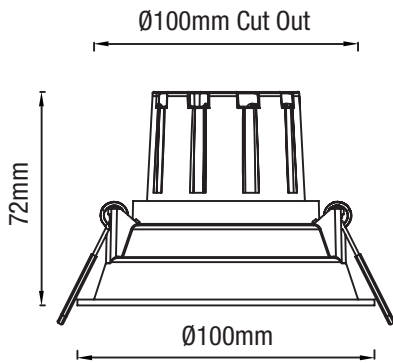
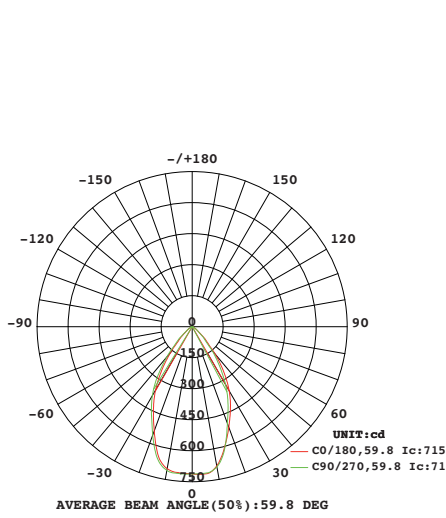
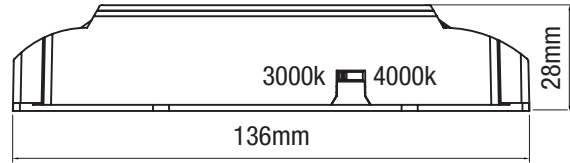


Diagram for Class Driver



| Height | Evav, Emax | Angle: 59.76deg | Diameter |
|--------|----------------|-----------------|-----------|
| 1m | 422.6, 714.7lx | | 114.90cm |
| 2m | 105.7, 178.7lx | | 229.81cm |
| 3m | 46.96, 79.41lx | | 344.71cm |
| 4m | 26.41, 44.67lx | | 459.62cm |
| 5m | 16.90, 28.59lx | | 574.52cm |
| 6m | 11.74, 19.85lx | | 689.42cm |
| 7m | 8.625, 14.59lx | | 804.33cm |
| 8m | 6.603, 11.17lx | | 919.23cm |
| 9m | 5.217, 8.824lx | | 1034.14cm |
| 10m | 4.226, 7.147lx | | 1149.04cm |

Note: The Curves indicate the illuminated area and the average illumination when the luminaire is at different distance.

Photometric Parameters

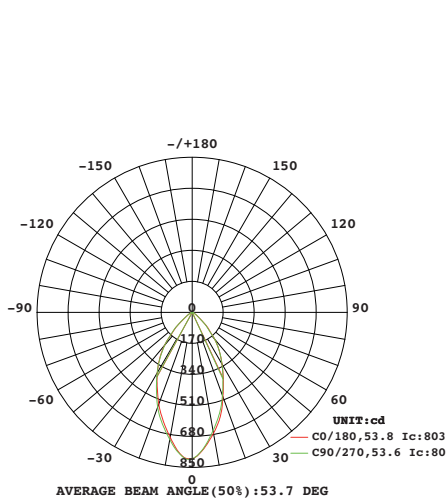
Luminous Flux: 695.28 lm
Radiant Power: 2.155 W

Efficiency: 75.57 lm/W

Electric Parameters

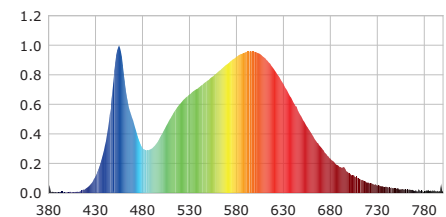
Voltage: 240.30 V Current: 0.0400 A
Power Factor: 0.9450

Power: 9.20 W
Frequency: 49.99 Hz



| Height | Evav, Emax | Angle: 53.57deg | Diameter |
|--------|----------------|-----------------|-----------|
| 1m | 462.7, 806.8lx | | 100.96cm |
| 2m | 115.7, 201.7lx | | 201.92cm |
| 3m | 51.41, 89.64lx | | 302.88cm |
| 4m | 28.92, 50.42lx | | 403.84cm |
| 5m | 18.51, 32.27lx | | 504.81cm |
| 6m | 12.85, 22.41lx | | 605.77cm |
| 7m | 9.442, 16.46lx | | 706.73cm |
| 8m | 7.229, 12.61lx | | 807.69cm |
| 9m | 5.712, 9.960lx | | 908.65cm |
| 10m | 4.627, 8.068lx | | 1009.61cm |

Note: The Curves indicate the illuminated area and the average illumination when the luminaire is at different distance.



Photometric Parameters

Luminous Flux: 750.82 lm
Radiant Power: 2.277 W

Efficiency: 80.73 lm/W

Electric Parameters

Voltage: 240.00 V Current: 0.0410 A
Power Factor: 0.9460

Power: 9.30 W
Frequency: 49.99 Hz