

Precision



Precision 316 (1400mm)

The Martec Precision 316 stainless steel ceiling fan is made entirely from marine grade stainless steel, making it able to withstand harsh environments, such as high chloride (salt) air, which is typically found near the ocean.



FEATURES

- /// Full 3 year In Home warranty
- /// Fast fix blade attachment system
- /// Marine grade 316 stainless steel, perfect for salt water environments
- /// Light adaptable (PLKSS)
- /// Huge 23 degree blade pitch
- /// 3 speed wall controller with light switch
- /// Remote control adaptable
- /// Fully reversible for summer & winter
- /// Available in 1200mm (48"), 1300mm (52"), or 1400mm (56") blade diameter
- /// 316 stainless steel prevents overall corrosion better than 304 stainless steel, offering higher resistance to pitting and crevice corrosion in chloride (salt) environments (Tea staining may still occur)

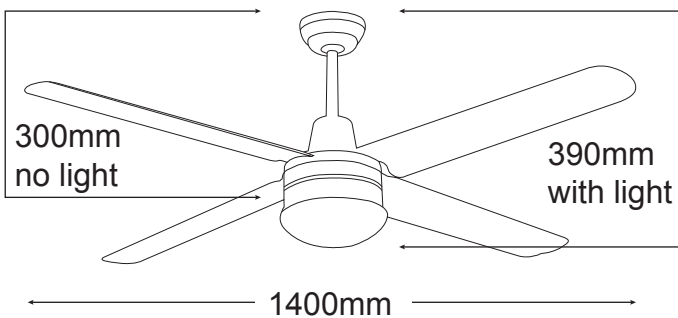


MPF3164SS (1400mm)



Precision 316 w/ PLKSS

DIAGRAMS



	FORWARD/REVERSE			WALL CONTROL	LUMINOUS FLUX	MAX AIR FLOW
	High	Medium	Low			
RPM	238/261	179/207	106/130	3 Speed 2 + 3 5µF / 400V	N/A	TBA
CURRENT	0.356A	0.289A	0.198A			
POWER	81.5W	50W	22.6W			

