

## 3 IN 1 BATHROOM HEATER FAN & EXHAUST WITH TRICOLOUR LED LIGHT



Powerful and efficient turbo fan 3-in-1 Bathroom Heater Exhaust and Light, that suits small to medium sized bathrooms. Quiet operation.

- Powerful 45W motor
- 125mm side duct outlet with draft stopper
- Includes 2 x E27 275W infrared heat lamps for instant heat
- High velocity exhaust fan 300m<sup>3</sup>/h
- Modern ultra-low profile fit to ceiling
- Includes exterior grill with self-closing back shutter
- 1.5m of flexible ducting included
- Includes safety cut out thermostat switch
- 10W energy saving Tricolour switchable LED Light 3000, 4000, 5000k
- IPX4 water and dust resistant



Instant Steam Extraction



In Home Warranty\*  
\*Excludes Heat Lamps



Energy Efficient



Tricolour



Instant Heat



IPX4 Water Resistant



Ultra Low Profile



High Performance Ball Bearing Motor

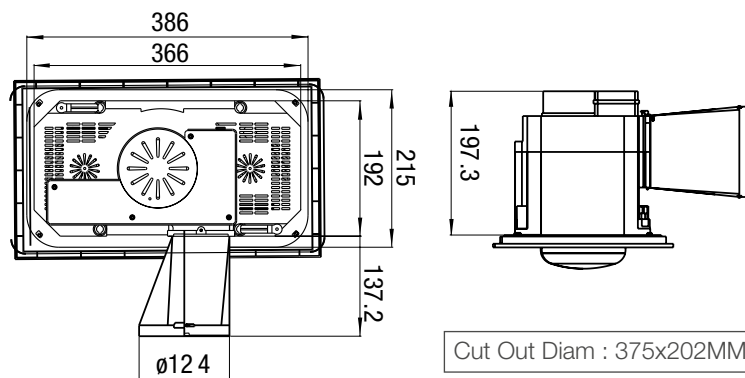
### INCLUDES

- 1 x Cut Out Template
- 2 x 275W E27 Infrared Heat Lamps
- 1 x 1.5m of Flexible Ducting
- 1 x Exterior Grill with Self Closing Back Draft Stopper

### AVAILABLE EXTRAS

- MRL275W Replacement 275W heat lamp
- MBHREM - Bathroom 3 in 1 Remote Control Kit

### DIMENSIONS



## 3 IN 1 INSTANT HEAT FAN EXHAUST WITH TRICOLOUR LED LIGHT WHITE

### FEATURES

- 10w LED Light with Tricolour 3000, 4000, 5000k switchable
- 728 Lumen output
- Powerful high velocity exhaust fan 300m<sup>3</sup>/h
- 125mm side duct outlet with draft stopper
- Modern ultra-low profile slimline design
- Includes 1.5M of flexible ducting and exterior grill
- Includes safety cut out thermostat switch
- Includes 3 gang wall switch

### SPECIFICATIONS

<b>Power (wattage):</b>	45w
<b>Motor:</b>	Ball bearing
<b>Rated frequency:</b>	50Hz
<b>Voltage:</b>	220v-240v
<b>Fan power (wattage):</b>	45w
<b>LED light:</b>	10w
<b>Colour:</b>	White
<b>Lumens:</b>	3000k : 605lm / 4000k : 728lm / 5000k : 713lm
<b>Tricolour Switchable LED Light:</b>	Switchable 3000k / 4000k / 5000k
<b>Size (mm):</b>	386 x 215 x 197mm
<b>Cut out (mm):</b>	375 x 202mm
<b>Outlet diameter (duct compatible):</b>	125mm
<b>Grill size (mm):</b>	W245 x D420mm
<b>CRI:</b>	>80
<b>LED type:</b>	SMD
<b>IP rating:</b>	IP X4
<b>Heat type (wattage):</b>	2 x 275w (Infrared heat lamps)
<b>Thermal switch safety:</b>	80° cut off
<b>Maximum air delivery M3/h†:</b>	300m3h, high velocity
<b>Maximum air delivery M3/min†:</b>	≤5.00
<b>Air flow rate L/sec†:</b>	≤83
<b>Energy saving back dropper:</b>	Yes
<b>Approx LED light lamp life:</b>	50,000 hrs
<b>Aluminium duct:</b>	125 x 125 x 1500mm
<b>Duct clips:</b>	1 clip included
<b>Recommended minimum installation depth into ceiling:</b>	197mm
<b>Wall switch included:</b>	3 gang wall switch

### INSTALLATION


By licensed electrician.

### SHIPPING

<b>Packaging size:</b>	H498xL285xW270mm
<b>Gross weight :</b>	2.75Kg
<b>Pallet qty :</b>	48 Pieces

† Measurements may vary and are displayed for indicative purposes only.

### AVAILABLE IN WHITE ONLY

Model	Colour	Barcode
MBHF2LW	White	 9312375507055

