



# DORMON

EXTERIOR WALL LIGHT



240V
2x35W max
GU10
IP44



Modern curved exterior wall light either stainless steel or powdercoated diecast aluminium. IP44 Weather resistant rating. 2 Year Warranty.

Code:	<b>17943/..</b>
<b>16</b> STAINLESS STEEL (304)	9 312641 179443 >
<b>51</b> CHARCOAL	9 312641 179450 >

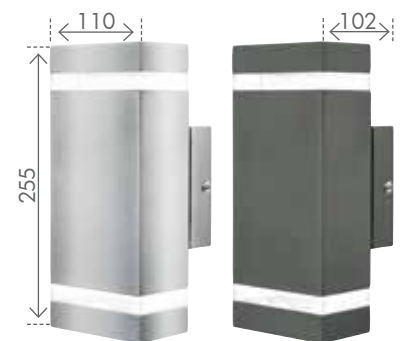


# ENTASIS

EXTERIOR WALL LIGHT



240V
2x35W max
GU10
IP44



Modern rectangular block exterior wall light either stainless steel or powdercoated diecast aluminium. IP44 Weather resistant rating. 2 Year Warranty.

Code:	<b>17942/..</b>
<b>16</b> STAINLESS STEEL (304)	9 312641 179429 >
<b>51</b> CHARCOAL	9 312641 179436 >