

LED PORTABLE FLOOD LIGHT

High lumens output

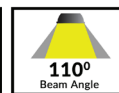
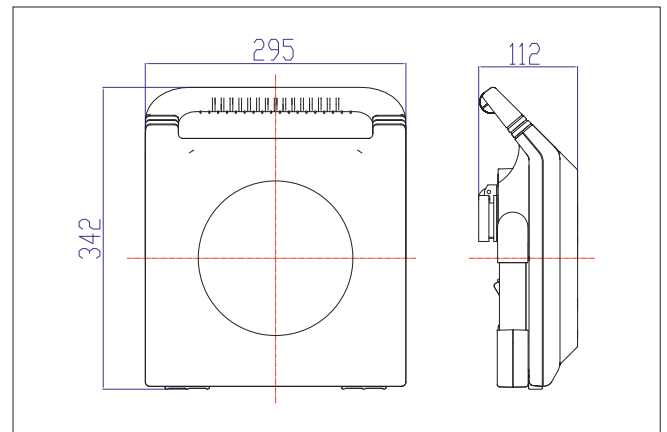
IP54

New!!
2 SOCKETS



PRODUCT FEATURE

- Input voltage: 220-240V AC 50/60hz
- Output voltage: 27-30V 1.4-1.6A
- Material: aluminium body & glass diffuser
- Wattage: 50W
- Power factor: ≥ 0.9
- 90pcs Epistar 2835 LED chips
- **(New Feature)** 2 sockets included at the rear of fitting for other electrical equipment. (Electrical summation of these 2 sockets must be less than 10A)
- Ambient Temp: -25 to 45°C
- Not suitable for dimming
- IP rated flex & plug attached (L: 3m)



PART NO.	DESCRIPTION	KELVIN	LUMENS	WATT	CRI	IP	WEIGHT (KG)	BOX (cm)	CARTON QTY
ZEUS	PORTABLE BLACK FLOODLIGHT LED 50W	6500K	5000lm	50	80	IP54	4.3	32x15.5x39	4

UPDATED ON 01/02/2018

Tel: (02) 9938 7100 | Fax: (02) 9938 7115 | Email: sales@clalighting.com.au

Website: www.clalighting.com.au

Follow us: facebook.com/CLALighting