



## T8 LED TUBE LIGHTS

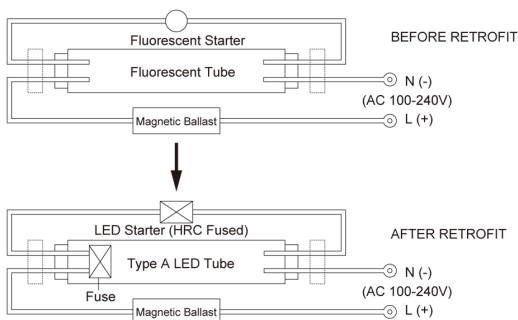
- Input voltage: 200-260V AC 50/60Hz
- SMD2835 LED chips
- Power factor:  $\geq 0.9$
- Life time: 25,000hrs
- PC heat sink
- For indoor use only
- Ambient temp:  $-20$  to  $40^{\circ}\text{C}$
- Not suitable for dimming
- Suitable to work with sensor
- 2 year replacement warranty



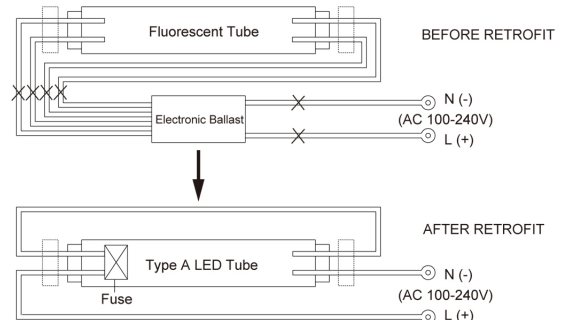
CODE	DESCRIPTION	KELVIN (K)	LUMENS (LM)	WATT (W)	CRI	BEAM ANGLE	IP	DIMM	LENGTH (mm)	DIAM (mm)	CARTON QTY
<b>PT82FT4 (NEW)</b>	9W 2FT LED T8 TUBE 6000K	6000	850	9	80	$165^{\circ}$	IP20	NO	589	28	1/25
<b>PT84FT4</b>	18W 4FT LED T8 TUBE 6000K	6000	1700	18	80	$165^{\circ}$	IP20	NO	1198	28	1/25
<b>PT818W5FT</b>	18W 5FT LED T8 TUBE 3000K	3000	1620	18	80	$120^{\circ}$	IP40	NO	1507	28	1/25
<b>PT827D5FT</b>	27W 5FT TUBE T8 TUBE 6500K	6500	2700	27	80	$165^{\circ}$	IP40	NO	1513	28	1/25

### INSTALLATION INSTRUCTIONS

1. Wiring example of a single circuit luminaire with magnetic ballast



2. Wiring example of a single circuit luminaire with electronic ballast



Brochure updated on 30/03/2017