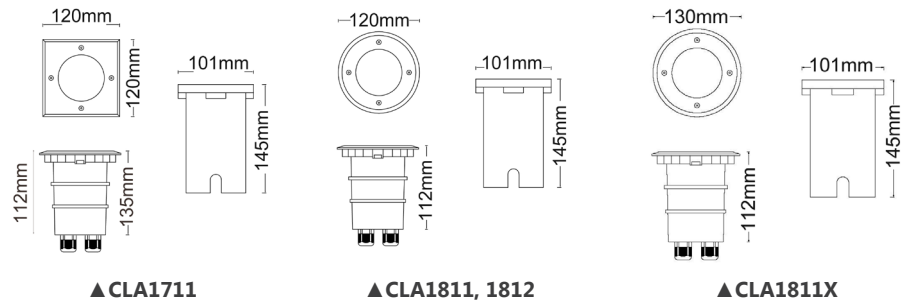


RECESSED INGROUND UP LIGHTS

- Round or square faceplate
- Stainless steel 316 marine grade faceplate
- Tempered glass which can with stand weight up to 1000kg
- 12V fittings supplied with MR16 20W halogen globe (max.20W)
- 240V fittings supplied with GU10 35W halogen globe (max.50W)
- Remote control gear required for 12V models
- Control gear not included
- Suitable for use with LED globes
- Sleeve provided



CODE	DESCRIPTION	DIMENSIONS			
		DIAM (mm)	WIDTH (mm)	CUT OUT (mm)	CARTON QTY
CLA1711	12V MR16 SS 316 INGROUND UP LIGHT SQ	-	120	Ø101	1/10
CLA1811	12V MR16 SS 316 INGROUND UP LIGHT RND	Ø120	-	Ø101	1/10
CLA1812	240V GU10 SS 316 INGROUND UP LIGHT RND	Ø120	-	Ø101	1/10
CLA1811X	12V MR16 SS 316 INGROUND UP LIGHT RND (LARGE)	Ø130	-	Ø101	1/10

NOTE:

- Bottom of hole must be lined with gravel to allow drainage
- The casing / cannister / sleeve must not be sitting on earth / sand
- Circular outdoor grade, rubber sheathed cable required
- Terminal block is located on an internal baseplate which must be accessed by removing the faceplate. 2 screws holding the baseplate to the fitting need to be removed to allow cable access
- Cable must be fed through the glands into the terminal block
- Rubber gland nut must be tight to ensure water does not enter fitting
- Casing/ cannister / sleeve must be used
- Additional silicone is recommended around cable entry
- Concrete should be used in the space between the casing / cannister / sleeve and the side of the hole

UPDATED ON 05.12.2016

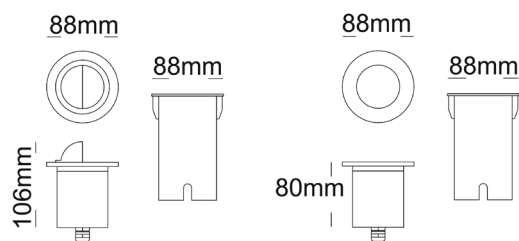
RECESSED INGROUND UP LIGHTS

- Round faceplate (with or without hood available)
- Stainless steel 316 marine grade faceplate
- Drainage must be allowed
- 12V fittings supplied with MR16 20W halogen globe (max.20W)
- 240V fittings supplied with GU10 35W halogen globe (max.50W)
- Remote control gear required for 12V models
- Control gear not included
- Suitable for use with LED globes
- 6mm round cable required



▲ CLA1911, 1912

▲ CLA1911H, 1912H



▲ CLA1911H, 1912H

▲ CLA1911, 1912

CODE	DESCRIPTION	DIMENSIONS		
		DIAM (mm)	CUT OUT (mm)	CARTON QTY
CLA1911H	12V MR16 SS 316 INGROUND UP LIGHT WITH HOOD	Ø88	Ø85	1/10
CLA1912H	240V GU10 SS 316 INGROUND UP LIGHT WITH HOOD	Ø88	Ø85	1/10
CLA1911	12V MR16 SS 316 INGROUND UP LIGHT	Ø88	Ø85	1/10
CLA1912	240V GU10 SS 316 INGROUND UP LIGHT	Ø88	Ø85	1/10

NOTE:

- Bottom of hole must be lined with gravel to allow drainage
- The casing / cannister / sleeve must not be sitting on earth / sand
- Circular outdoor grade, rubber sheathed cable required
- Terminal block is located on an internal baseplate which must be accessed by removing the faceplate. 2 screws holding the baseplate to the fitting need to be removed to allow cable access
- Cable must be fed through the glands into the terminal block
- Rubber gland nut must be tight to ensure water does not enter fitting
- Casing/ cannister / sleeve must be used
- Additional silicone is recommended around cable entry
- Concrete should be used in the space between the casing / cannister / sleeve and the side of the hole

UPDATED ON 05.12.2016