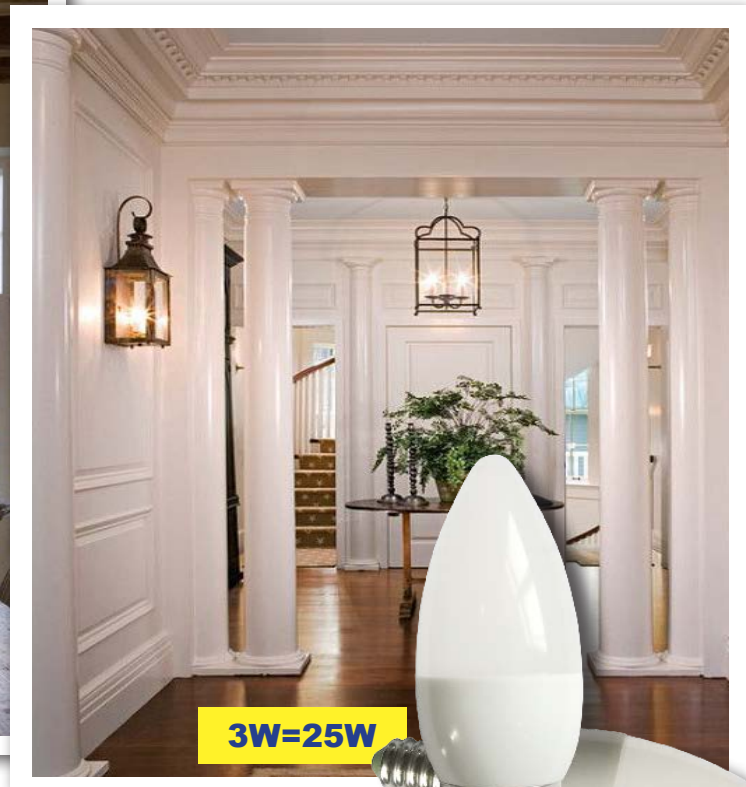


CANDLE LED globes

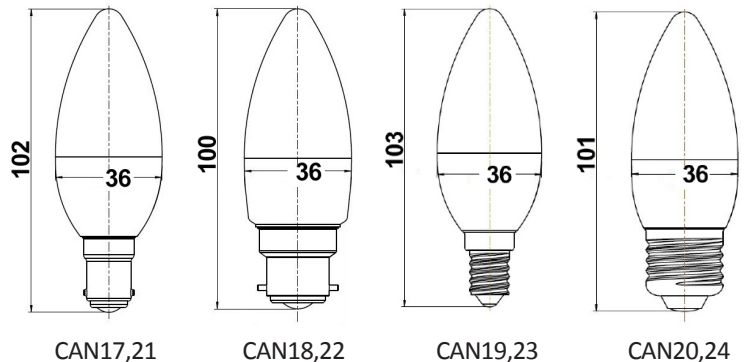


Devoted to energy saving



PRODUCT FEATURES

- Input voltage: 240V AC 50/60Hz
- Wattage: 3W
- San'an SMD2835 LED chips
- Life time: 30,000hrs
- Ambient temperature: -15 to 40°C
- Not suitable for dimming
- Carton QTY: 1/10/100
- 3 year replacement warranty



CODE	DESCRIPTION	KELVIN	LUMENS	WATT	BASE	CRI	BEAM
CAN17	LED CANDLE GLOBE SBC 5000K	5000K	260LM	3=25	B15	>80	230°
CAN18	LED CANDLE GLOBE BC 5000K	5000K	260LM	3=25	B22	>80	230°
CAN19	LED CANDLE GLOBE SES 5000K	5000K	260LM	3=25	E14	>80	230°
CAN20	LED CANDLE GLOBE ES 5000K	5000K	260LM	3=25	E27	>80	230°
CAN21	LED CANDLE GLOBE SBC 3000K	3000K	250LM	3=25	B15	>80	230°
CAN22	LED CANDLE GLOBE BC 3000K	3000K	250LM	3=25	B22	>80	230°
CAN23	LED CANDLE GLOBE SES 3000K	3000K	250LM	3=25	E14	>80	230°
CAN24	LED CANDLE GLOBE ES 3000K	3000K	250LM	3=25	E27	>80	230°

UPDATED ON 07.12.2016