



# SMART WiFi DIMMER MECH

## Make your dimmable downlights Smart

Voice control



WiFi  
NO HUB REQUIRED

works with the  
Google Assistant

WORKS WITH  
alexa

Works with  
IFTTT



### WiFi Smart push button lighting dimmer that allows remote operation from anywhere

- Make your dimmable lights smart by converting your current dimmer to our Smart dimming module
- Fits conveniently into the existing switch plate
- Perfect for new or retro-fit installations
- Trailing edge dimmer suitable for most LED lighting products
- Slots seamlessly into HPM®, Clipsal® and Vynco® branded wall plates
- Control from anywhere via app or voice control
- Build schedules and timing to automate your home
- Create virtual automation looping without the hassle of installing long cable runs\*
- Programmable minimum brightness level to avoid light flickering
- Incorporates on/off switching and dimming control into one mechanism
- Soft start for improved lamp life
- Connects to other BrilliantSmart devices and other compatible products
- Overheat and over-current protection
- Manual push button is in perfect sync with app

\* Virtual automation requires some automation scenes to be programmed in app

### APPLICATIONS

- Connects to any dimmable downlight – indoor only
- Group lights, so they can be switched on or off at the one time
- Create scenes using IFTTT, so lights come on based on certain behaviour, ie: when movement is detected via a sensor, the lights turn on automatically





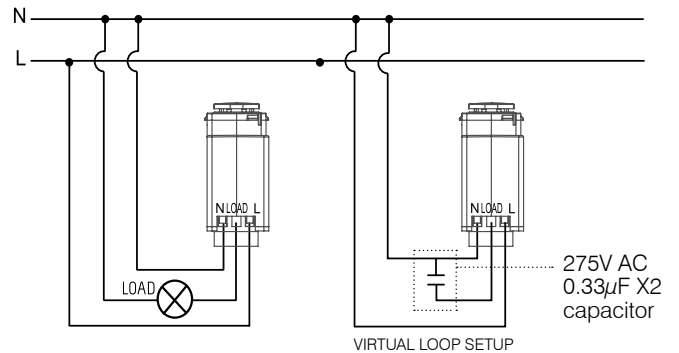
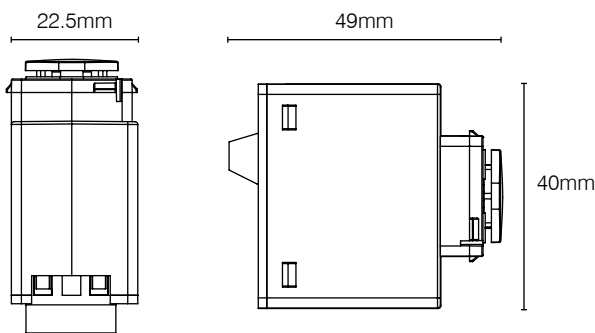
# SMART WiFi DIMMER MECH




## TECHNICAL SPECIFICATIONS

<b>Dim Method:</b>	Trailing edge
<b>Advanced settings:</b>	Programmable minimum dimming level Selectable load type
<b>Operating Voltage</b>	240V / 50Hz
<b>Maximum Load:</b>	200W LED / 350W incandescent
<b>Minimum Load:</b>	2W or 0.33 $\mu$ F X2 capacitor
<b>Operating Temperature:</b>	10°C - 30°C
<b>Protection Type:</b>	Over heat & over current
<b>Control Type:</b>	Push button / BrilliantSmart app Soft start for improved lamp life
<b>Connection Terminals:</b>	3 x 3mm diameter (7mm <sup>2</sup> ) screw
<b>Material:</b>	Flame retardant ABS for housing
<b>LED Indicator:</b>	Blue
<b>Plate Compatibility:</b>	Slots seamlessly into HPM®, Clipsal® and Vynco® branded wall plates with multiple button head shapes (series 30 type)
<b>Warranty:</b>	1 year replacement
<b>WiFi Info:</b>	IEEE802.11b/g/n, 2.4GHz Mac Encryption; WEP/WAPI/TKIP/AES
<b>Device Requirements:</b>	iOS 8.0 or higher, Android 4.1 or higher
<b>Standards:</b>	AS/NZS 60669-2-1 IEC 60669-1

## INSTALLATION

Must be installed by a licensed electrician



	MODEL	COLOUR	DESCRIPTION	BOX SIZE	GROSS WEIGHT	BOX QTY	BARCODE/TUN
<b>RETAIL BOX</b>	20967	White	Smart WiFi Dimmer Mech	W42 x H55 x D26 mm	0.05 kg	1 pc	 9 312641 209676
<b>INNER CTN</b>	20967	White	Smart WiFi Dimmer Mech SRT	W88 x H57 x D140 mm	0.45 kg	10 pc	 19312641209673
<b>OUTER CTN</b>	20967	White	Smart WiFi Dimmer Mech	W175 x H195 x D95 mm	0.91 kg	20 pc	 29312641209670